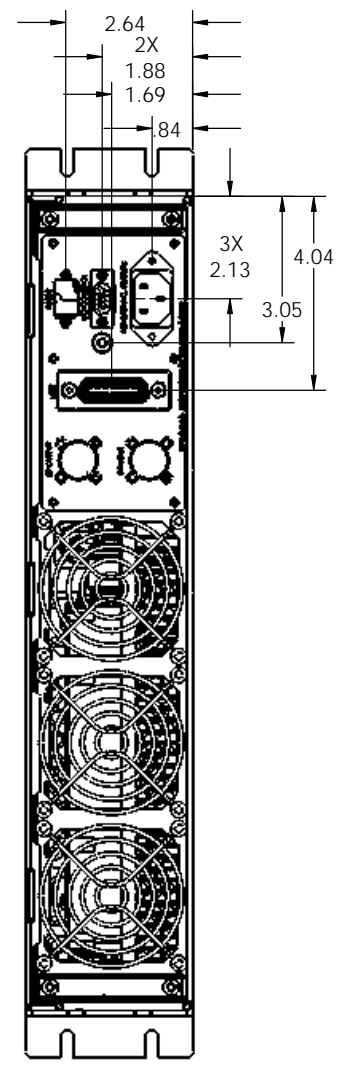
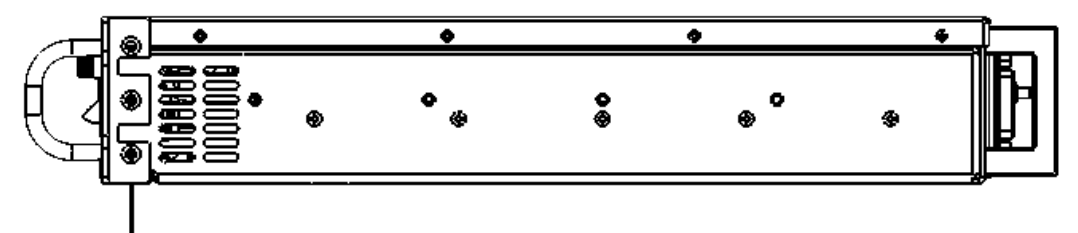
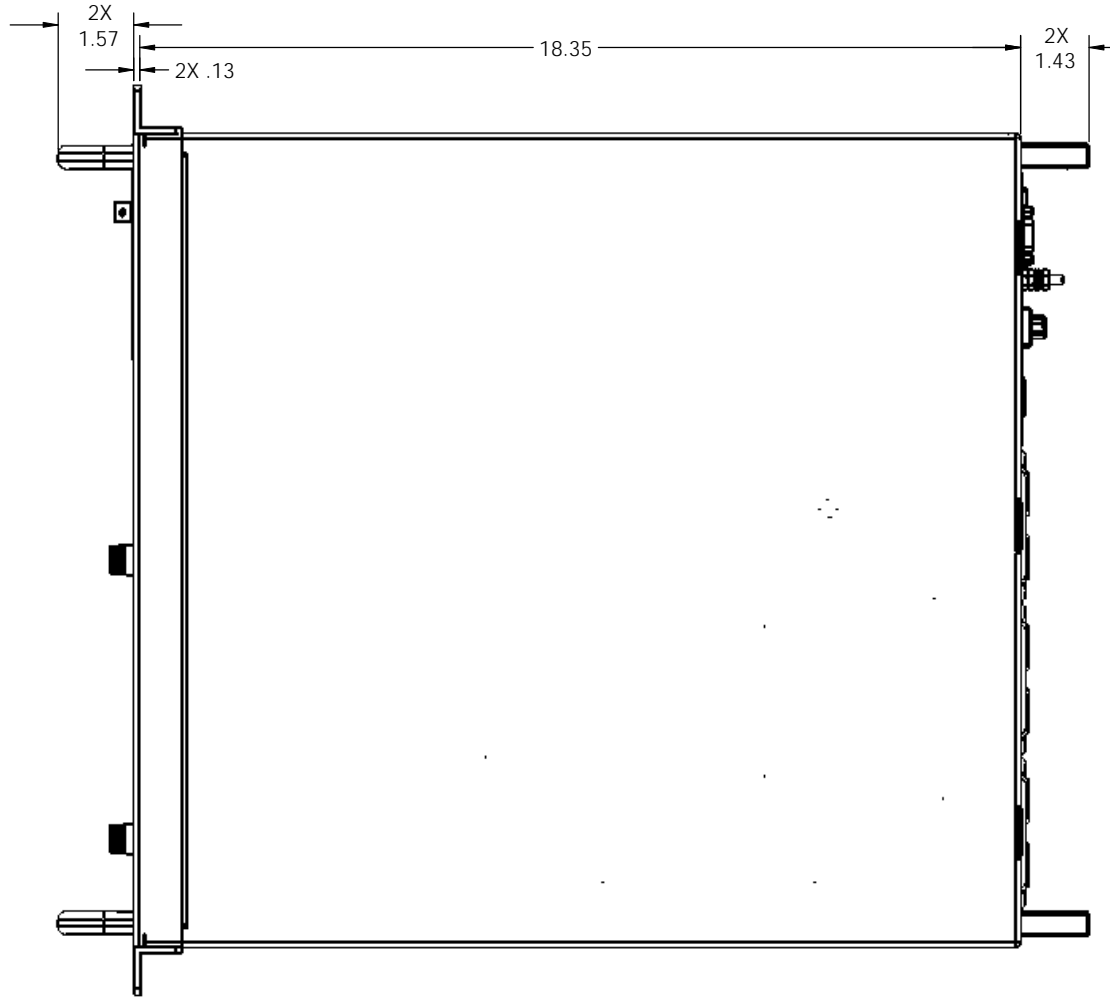
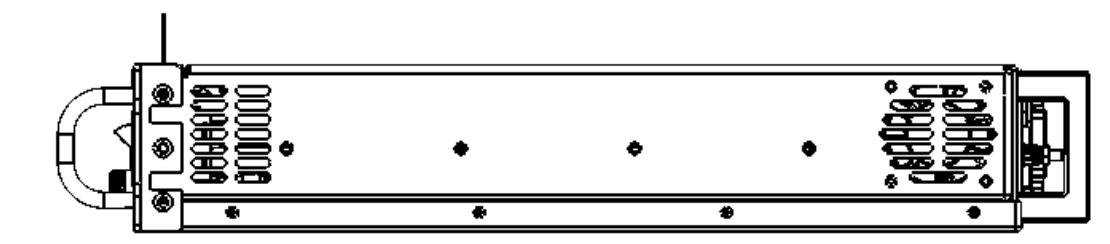
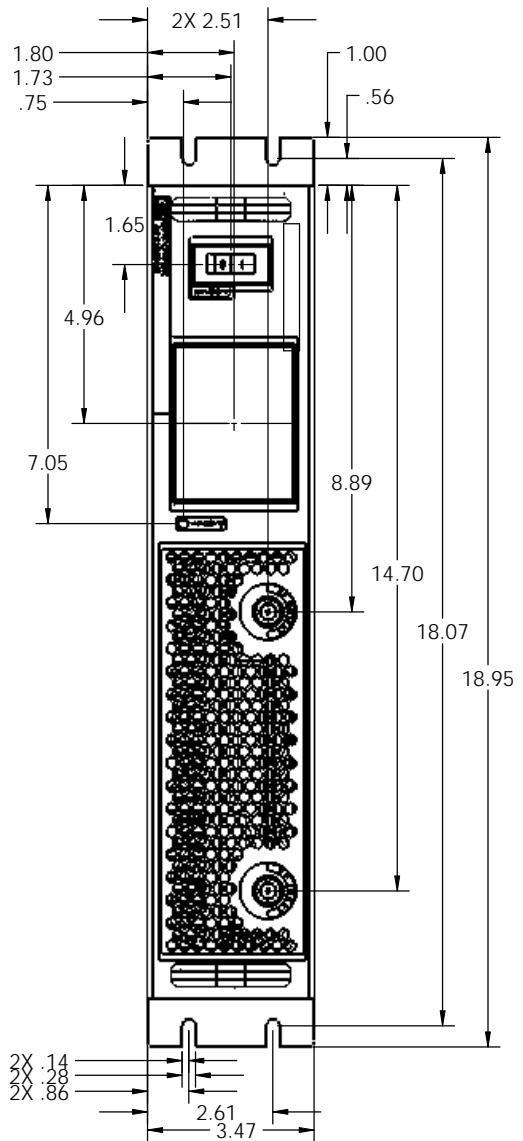


PROPRIETARY AND CONFIDENTIAL  
 THIS DOCUMENT CONTAINS DATA WHICH IS PROPRIETARY OR CONFIDENTIAL TO "EMPOWER RF". THE DATA CONTAINED HEREIN SHALL NOT BE USED, DUPLICATED OR ALTERED WITHOUT THE EXPRESSED WRITTEN CONSENT OF "EMPOWER RF." ALL RIGHTS ARE RESERVED



DRAWN	SHONMA	1/15/09	OUTLINE	
CHECKED				
ENG APPR.			SIZE	CAGE CODE
MFG APPR.			D	1N5X2
D.A.			DWG. NO.	SYSTEM OPT 05
			SCALE: 1:2	WEIGHT:
				REV 1
				SHEET 3 OF 6