

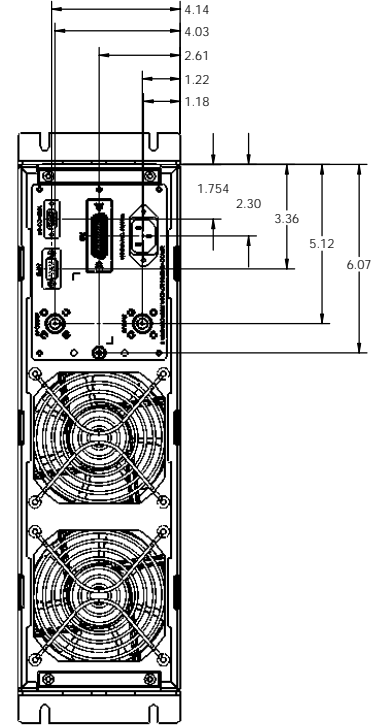
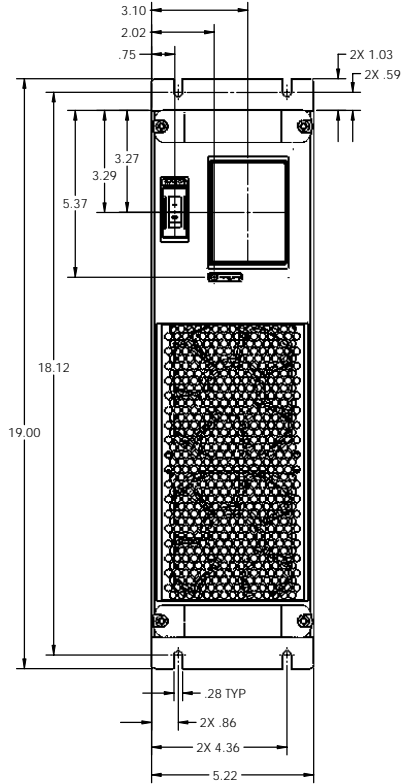
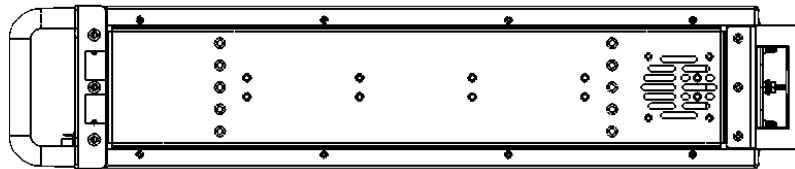
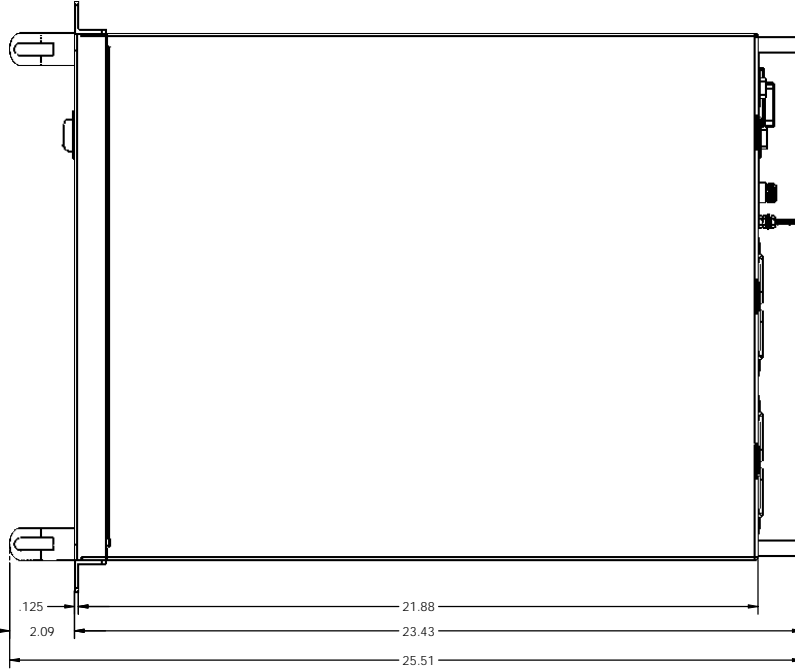
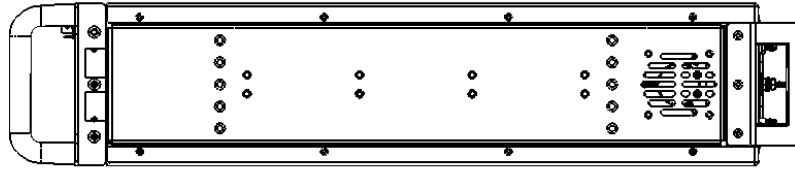
PROPRIETARY AND CONFIDENTIAL
 THIS DOCUMENT CONTAINS DATA WHICH IS PROPRIETARY OR CONFIDENTIAL TO "EMPOWER RP". THE DATA CONTAINED HEREIN SHALL NOT BE USED, DUPLICATED OR ALTERED WITHOUT THE EXPRESSED WRITTEN CONSENT OF "EMPOWER RP". ALL RIGHTS ARE RESERVED.

D
C
B
A

3

2

1



D
C
B
A

4

3

2

1

DRAWN	APWEM	08.22.07	OUTLINE DRAWING			REV
CHECKED	SHONMA	08.22.07	SIZE	PAGE CODE	DWG. NO.	A
ENG APPR			D	INDEX	SYSTEM OPTION 10	
ENG APPR			SCALE: 1:4			SHEET 1 OF 1