

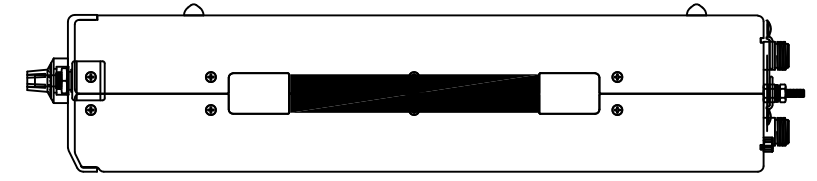
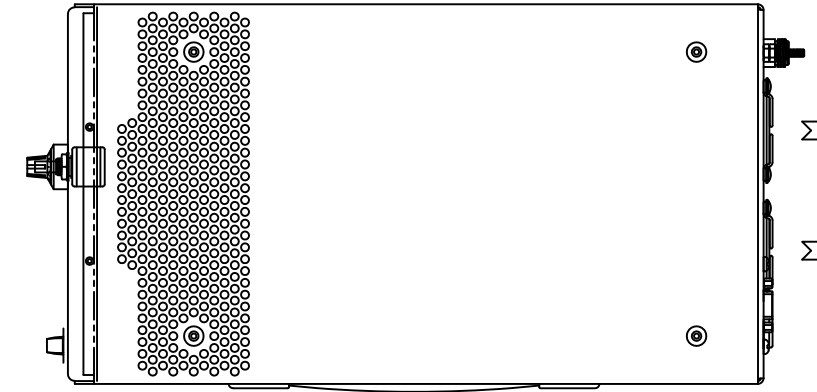
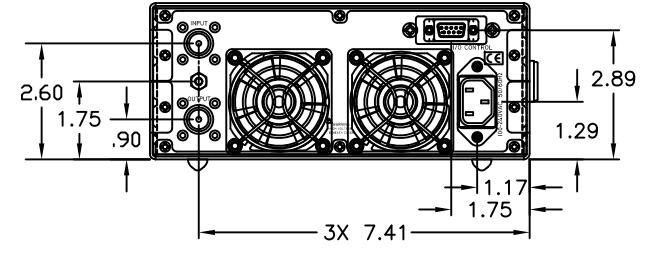
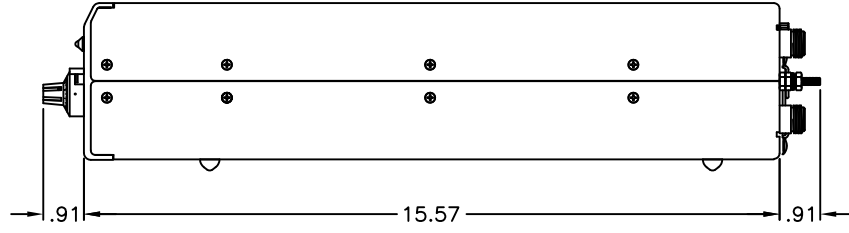
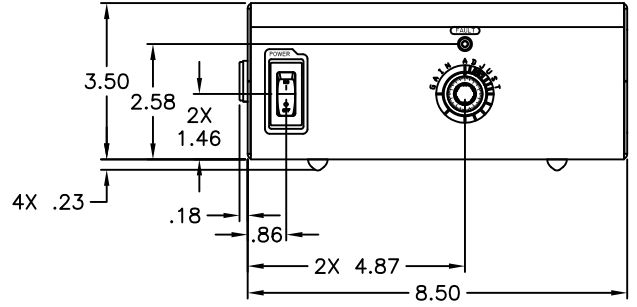
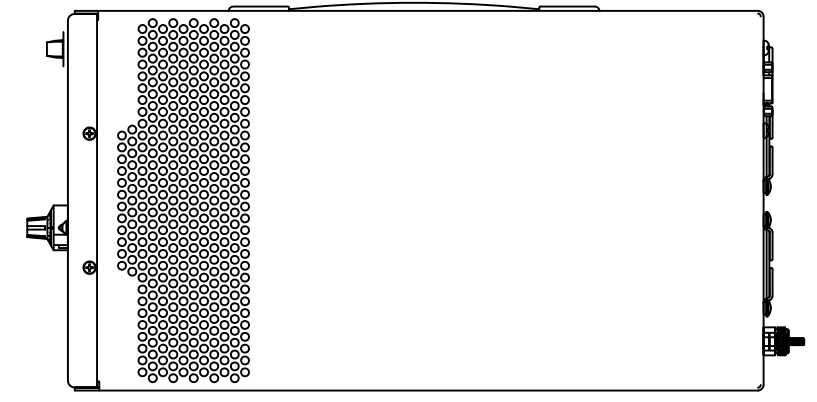
PROPRIETARY DATA
 THIS DOCUMENT CONTAINS DATA WHICH IS PROPRIETARY OR CONFIDENTIAL TO "EMPOWER RF". THE DATA CONTAINED HEREIN SHALL NOT BE USED, DUPLICATED OR ALTERED WITHOUT THE EXPRESSED WRITTEN CONSENT OF "EMPOWER RF." ALL RIGHTS ARE RESERVED.

A
B
C
D

A
B
C
D

8 7 6 5 4 3 2 1

8 7 6 5 4 3 2 1



SYSTEM OUTLINE

SIZE	CAGE CODE	DWG NO.	REV
D	1N5X2	SYSTEM OPT 02	A
SCALE	PROJECT NUMBER	SHEET	FORM
1 : 2	10203	SHEET 3 OF 6	013105

DRAWING NO. SYSTEM OPT 02 3 A